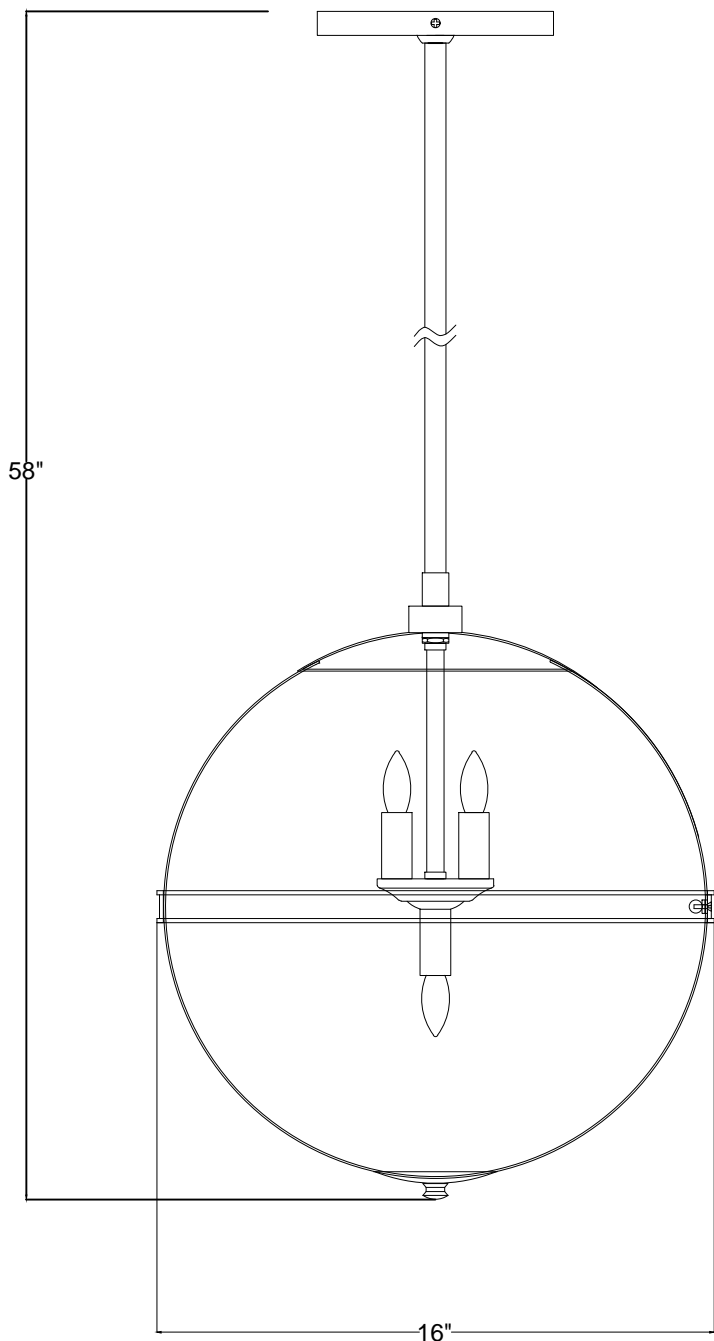


CRYSTORAMA

LIGHTING THE WAY FOR SIXTY YEARS

ASSEMBLY INSTRUCTION MODEL #2016-PN



WARNING:



Electrical Danger



Turn Power Off

All electrical components must be installed by a licensed electrician in accordance with the National Electric Code and the appropriate local electrical codes.



You will need 4-Cand.BULB
60 watts Max Bulb not included
USE LED BULBS FOR EXTENDED USE

How to Install

1. Install the Metal Band onto the Glass Shade (rest the glass shade inside the foam block included in the packaging. Hold the metal band straight while another person secures it on the glass with the screws provided).
2. Unscrew the decorative nut, to expose the lower white metal cap
3. Install the recommended bulbs (not included) into each socket
4. Place the glass over the light cluster and make it gently lean against the lower white metal cap (make sure the cap is evenly placed inside, by moving the glass around)
5. Attach the upper metal cap onto the glass shade by securing it with the decorative nut
6. Determine required height by attaching each of the rods and secure them both to the fixture and the canopy



WARNING: This product can expose you to Lead, which is known to the State of California to cause cancer and/or birth defects or reproductive harm. For more information go to www.P65Warnings.ca.gov

CRYSTORAMA

LIGHTING THE WAY FOR SIXTY YEARS

PART NUMBER MODEL #2016-PN

Part Number

Part Numbers

A. Mounting Hardware

- (1) Fixture Wire
- (3) Canopy Screws
- (1) Mounting Plate
- (3) Outlet Screws
- (3) Ground Screws
- (3) Wood Screws
- (3) Anchors

(3) Wiring Nuts

B. (1) Canopy; $\varnothing 7'' \times 0.55'' \text{h}$; XMO2016PNCAN7IN

C. (3) Rod; $\varnothing 0.63'' \times 12'' \text{h}$; XMO2016PNROD12IN

D. (1) Rod; $\varnothing 0.63'' \times 3'' \text{h}$; XMO2016PNROD3IN

E. (1) Decorative Nut

F. (1) Upper Metal Cap; XMO2016PNCAPUP

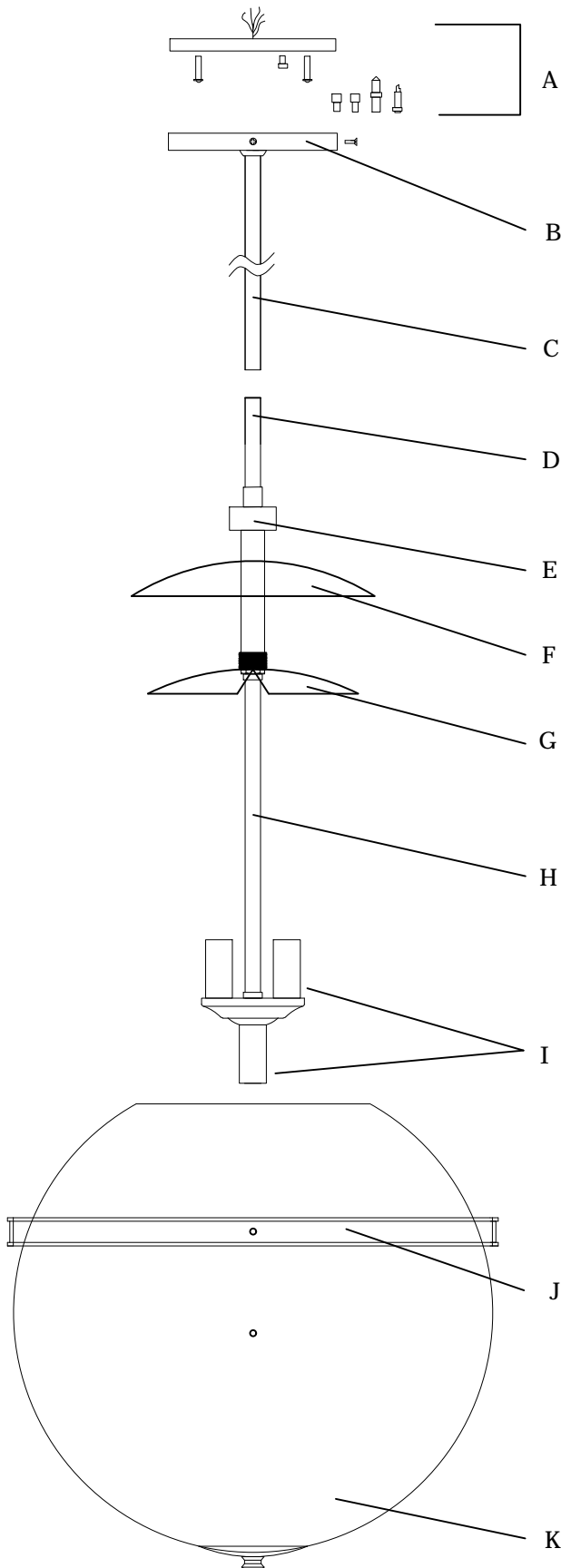
G. (1) Lower Metal Cap; XMO2016PNCAPLOW

H. (1) Stem Sleeve

I. (4) Socket Cluster

J. (1) Metal Band; XMO2016PNRIN16IN

K. (1) Glass Shade; $\varnothing 16.14'' \times 6.97'' \text{ hole}$; XMO2016PNGLA16IN



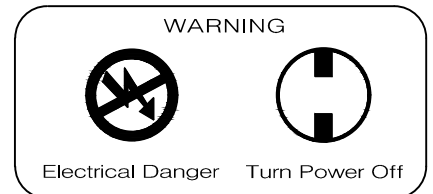
CRYSTORAMA


95 Cantiague Rock Road, Westbury NY 11590, toll free: 1.800.888.4470 fax: 516.931.1254 info@crystorama.com www.crystorama.com

MODEL#: 2016-PN ASSEMBLY AND DRESSING INSTRUCTIONS

The glass hole is fragile, please assemble according to the special instructions:


1. Take off the glass from package, remove the polybag and place it horizontally on the EPS for metal ring assembly.



 **WARNING:** This product can expose you to Lead, which is known to the State of California to cause cancer and/or birth defects or reproductive harm. For more information go to www.P65Warnings.ca.gov

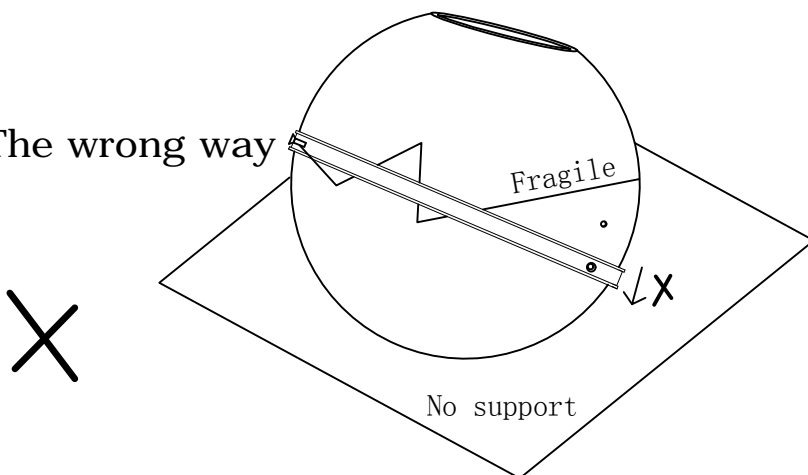
IMPORTANT

TURN OFF THE POWER AT THE MAIN FUSE OR CIRCUIT BREAKER BOX BEFORE STARTING INSTALLATION


You will need 4-Medium.
BULB 60 watts Max
Bulb not included
USE LED BULBS FOR EXTENDED USE



The wrong way



The right way

