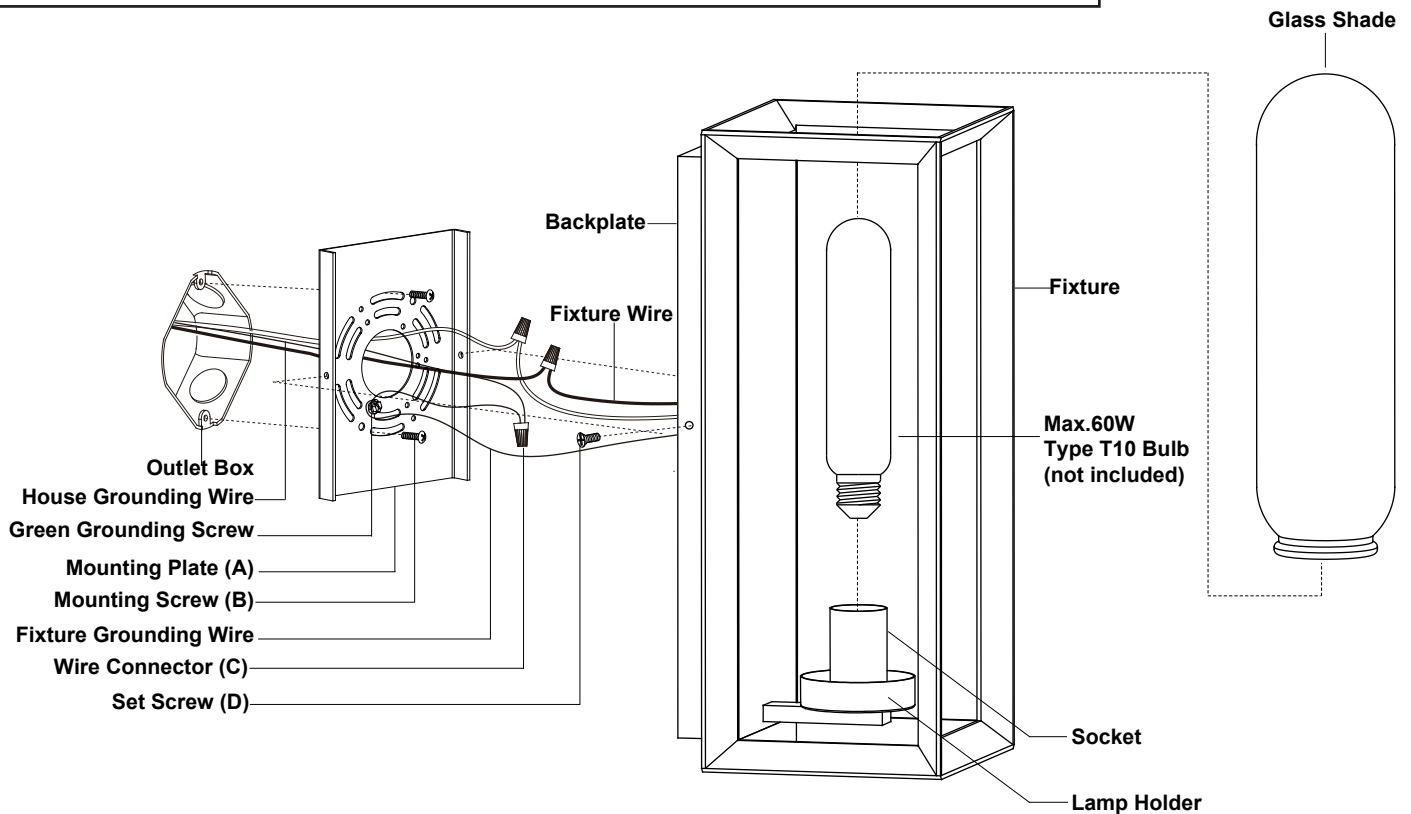
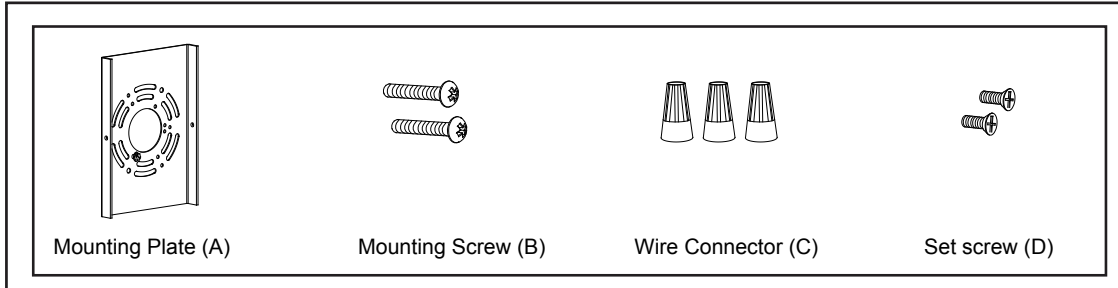


ASSEMBLY AND INSTALLATION INSTRUCTIONS

T0605

WARNING: Turn off the main power at circuit breaker before installing fixture.
AVERTISSEMENT: Coupez la source d'alimentation principale au panneau central de disjoncteurs avant d'installer le luminaire.

NOTE: 1. Before installing, consult local electrical codes for wiring and grounding requirements.
2. READ AND SAVE THESE INSTRUCTIONS.



Installation Steps

Turn off the power at fuse or circuit box

1. Unscrew the two set screws (D), remove the mounting plate (A) from the backplate.
2. Attach the mounting plate (A) to the outlet box by using two mounting screws (B).
Note: Make sure that two set holes are lined up horizontally to make the fixture level.

3. Pull out the source wires from the outlet box. Make wire connections using wire connectors (C) as follows:
 - Connect the hot wire (usually black insulation) from the fixture to the black wire from the power source.
 - Connect the neutral wire (usually white insulation) from the fixture to the white wire from the power source.
 - Attach the fixture grounding wire (usually green with the insulation or bare wire) to the mounting plate (A) with green grounding screw. Then, depending on local code, connect it to the house grounding wire with the wire connector (C).
 Carefully put all of the wires back into the outlet box.

4. Attach the backplate of the fixture to the mounting plate (A) by aligning holes, secure the two set screws (D) from the side hole of the backplate into the hole of the mounting plate (A).

Note: With silicone caulking compound, caulk completely around where the backplate meets with the wall surface to prevent water from seeping into the outlet box.

5. Install the bulb (not included). See relamping label at socket area or packaging for maximum wattage allowed.

6. Attach the glass shade to the lamp holder by aligning solder bumps and turn it clockwise until it is locked in place.

Turn on the power at fuse or circuit box

The following parts are available for re-order if damaged or missing.

Spare Parts List:

Mounting Plate (A) Mounting Screw (B) Wire Connector (C) Set screw (D)

Mounting Hardware
 6358MM (1SET)

Glass Shade
 X1
 10249CG

